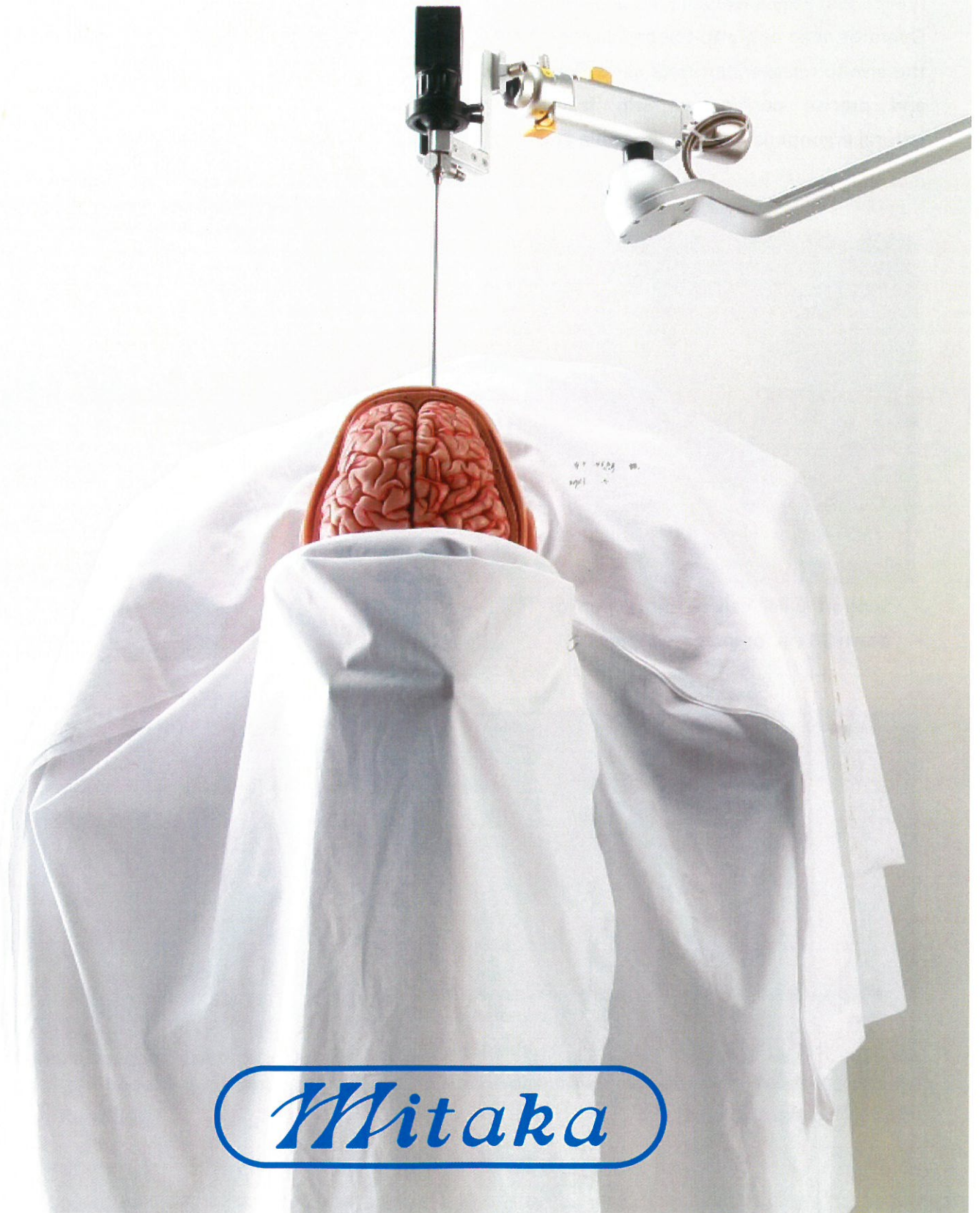


# UniARM

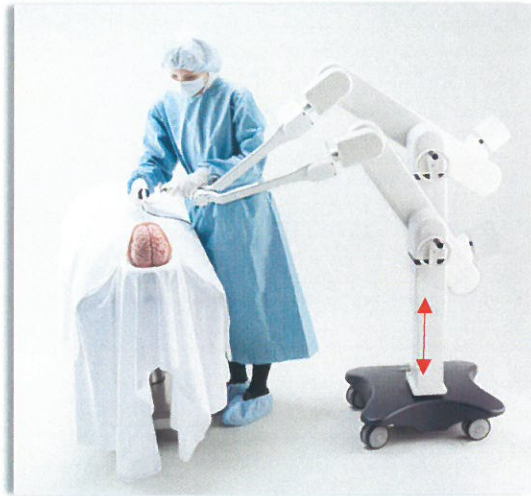
*Surgical Support System*



*Mitaka*



**Precise and easy positioning:**  
Operator need only grip the end portion of the arm to release joints and allow flexible and precise positioning. Grip features natural ergonomics for a comfortable grip.



Support pillar can be moved up or down 30 cm for increased range.



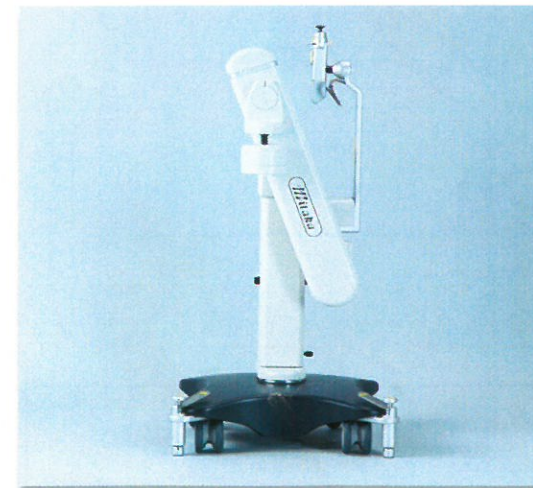
Jointed arm design allows a wide range of positioning.



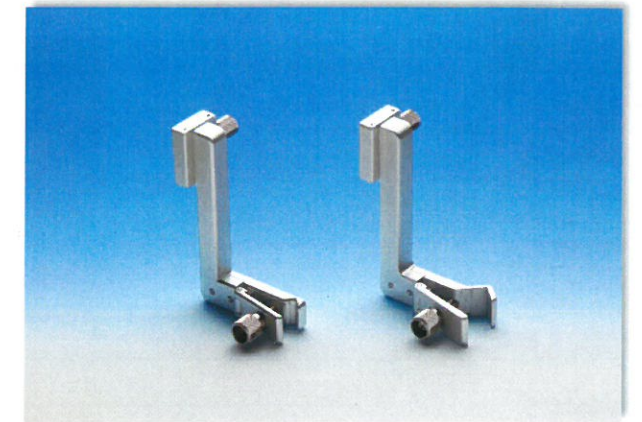
**UniARM** is a versatile surgical support system capable of supporting instruments up to 3 kg by changing adapters mounted at end of support arm.



UniARM features a simple locking mechanism to hold stand in place; or to release for easy movement.



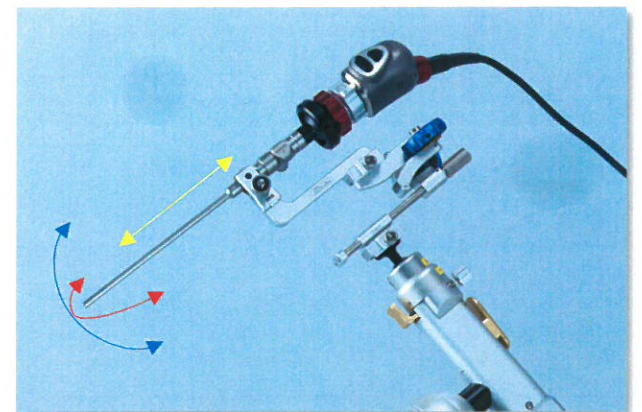
UniARM can be folded in compact manner for storing.



• **UniARM Supplied Equipment**  
UA Endo holder (φ5~10mm)  
UA Endo holder (φ10~15mm)



• **UniARM Optional Adapter**  
There is a selection of autoclavable adapters to connect rigid and flexible endoscopes.



• **Micro Manipulator**  
In the direction of the X: axis range of motion  $\pm 3^\circ$   
In the direction of the Y: axis range of motion  $\pm 3^\circ$   
In the direction of the Z: axis range of motion 50mm

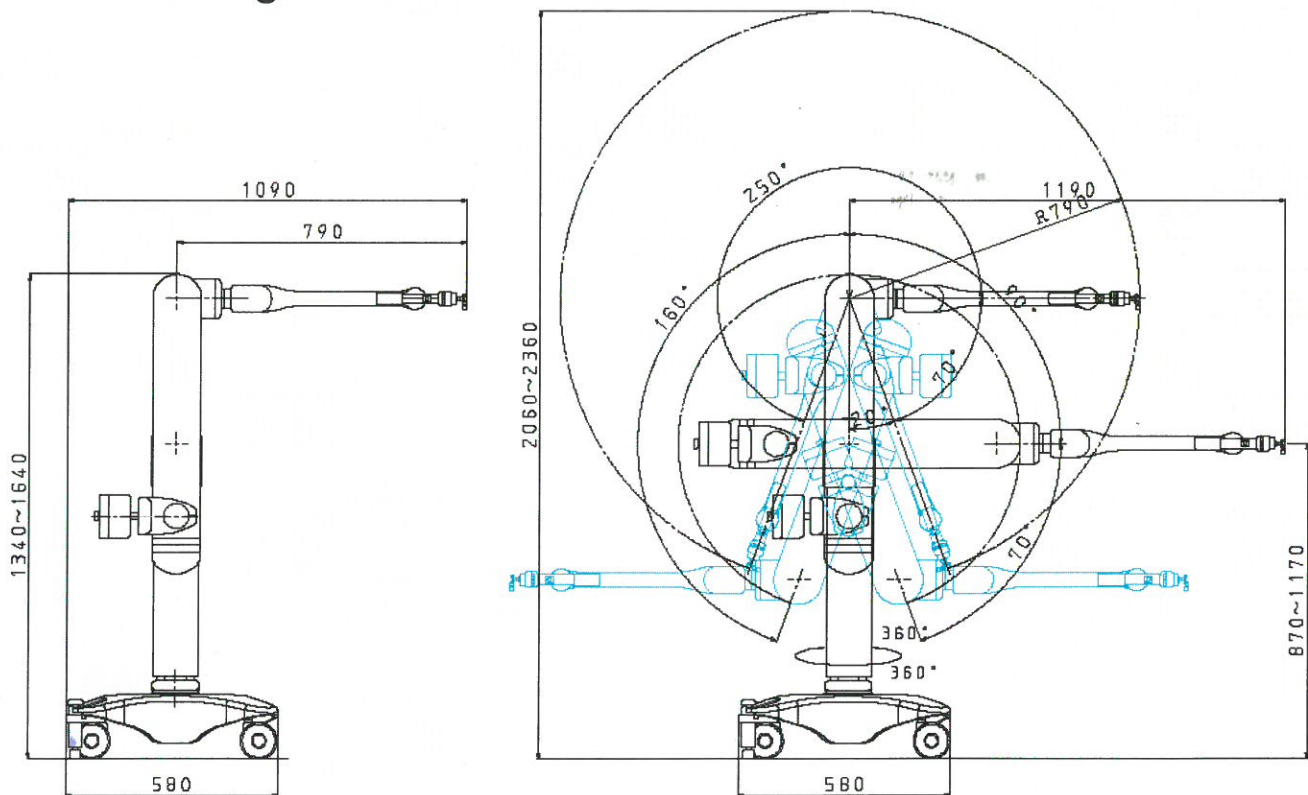
# UniARM Specifications

Item	Parameter
<b>1. UniARM</b>	
Joint	6 (1 joint is manual)
Size	H1483±15mm W57mm D570 mm
Weight	70 kg
Max holding power	3 kg
<b>3. Standard accessories</b>	
Adapters	UA Endo holder (φ5~10 mm)
	UA Endo holder (φ10~15 mm)
Air hose	6m + Connector
<b>4. Pressure</b>	Nitrogen gas - Compressed air 6~8kgf/cm <sup>2</sup>
<b>5. Option</b>	
Micro Manipulator	Range of motion X±3° Y±3° Z 50 mm
Optional adapter	For cerebral spatula
	For endoscope holder by other company
	Custom holder (please contact us.)

\* The specifications of this product may change without prior notice to improve performance.

Manufacture and sales notification No.: 13B3X0005100015

## Standard Configuration



Manufacturer/Distributor

**MITAKAKOHKI CO., LTD**

1-18-8 Nozaki Mitaka-shi Tokyo 181-0014

TEL:0422-49-1491 FAX:0422-49-1117

<http://www.mitakakohki.co.jp>

Vendor